

LEEMAN WI2000



This type of water meter also can be used for a remote reading transmission system as equipped with a built-in sensor.

APPLICATION: To totalize the total volume of cold (hot) water passing through the pipeline.

WORKING CONDITION:

The max.admissible water pressure: 1.0MPa OR 1.6MPa.

Water temperature: 0.1°C~50°C for cold water;

0.1°C~90°C for hot water.

FEATURES:

- Removable element structure, it is easy for installation and maintenance, register for universal use within this range detachable without Removing the meter from the pipeline;
- Dry-dial, Magnetic drive sensitive action, small pressure loss;
- Vacuum sealed register ensures the dial keeps free from fog and keeps the reading clear in a long term service;
- Selected high quality materials for steady & reliable characteristic;
- It can measure dirty water. The universality of the measuring mechanism is great.
- Negotiability ability is wide. Accuracy in measurement is exact.

MAXIMUM PERMISSIBLE ERROR:

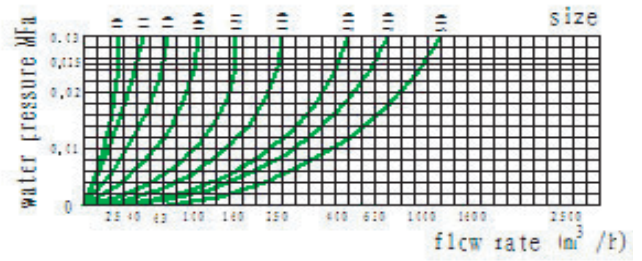
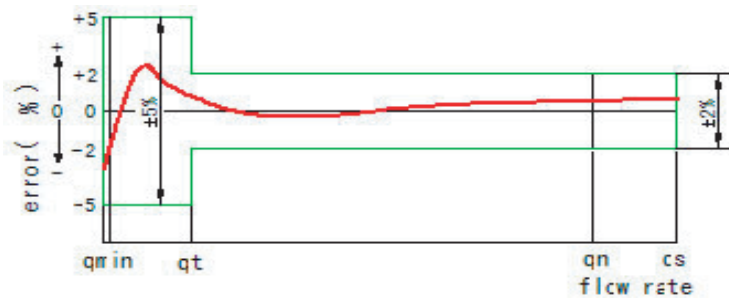
From transitional flow up to maximum flow both inclusive:

±2% for cold water.

: ±3% for hot water.

From minimum flow inclusive up to transitional flow: ±5%.

FLOW-ERROR CURVE PRESURE LOSS-ERROR CURVE



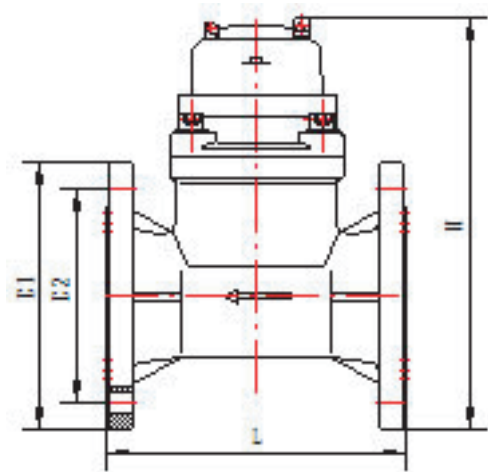
DIMENSIONS AND WEIGHTS

Size	Length L	Width B	Height H	Connecting Flange			Weight
				Outer Diameter D1	Bolt Circle Diameter D2	Connecting Bolt n-Md	
mm							Kg
50	200	165	268	165	125	4-M16	11
65	200	185	279.5	185	145	4-M16	14
80	225	200	296	200	160	8-M16	16
100	250	220	307	220	180	8-M16	19
125	250	250	322	250	210	8-M16	25
150	300	285	351	285	240	8-M20	28
200	350	340	394	340	295	1.0MPa 8-M20	48
						1.6MPa 12-M20	47.5
250	400	395	441	395	350	1.0MPa 12-M20	71
	450	405	446	405	355	1.6MPa 12-M24	76
300	450	445	491	445	400	1.0MPa 12-M20	80
	500	460	496	460	410	1.6MPa 12-M24	85

MAIN TECHNICAL DATA

Size mm	CLASS	Maximum flow	Nominal flow	Transitional flow	Minimum flow	Minimum Reading	Maximum Reading
		m ³ /h				m ³	
50	A	30	15	4.5	1.2	0.001	999999
65	A	50	25	7.5	2	0.001	999999
80	A	80	40	12	3.2	0.001	999999
100	A	120	60	18	4.8	0.001	999999
125	A	200	100	30	8	0.001	999999
150	A	300	150	45	12	0.01	9999999
200	A	500	250	75	20	0.01	9999999
250	A	800	400	120	32	0.01	9999999
300	A	1200	600	180	48	0.01	9999999

BOUNDARY DIMENSION



บริษัท ลีบริจาเดอรัล ดีเวลลอปเม้นท์ จำกัด

LEE BROTHERS DEVELOPMENT CO., LTD.

1630-1632 ถ.ทรงวาด แขวงสัมพันธวงศ์ เขตสัมพันธวงศ์ กทม. 10100

1630-1632 Songwad Road, Samphanthawong, Bangkok 10100

Tel. 0-2726-4701 Fax 0-2726-4711 E-mail : info@leemaniron.com